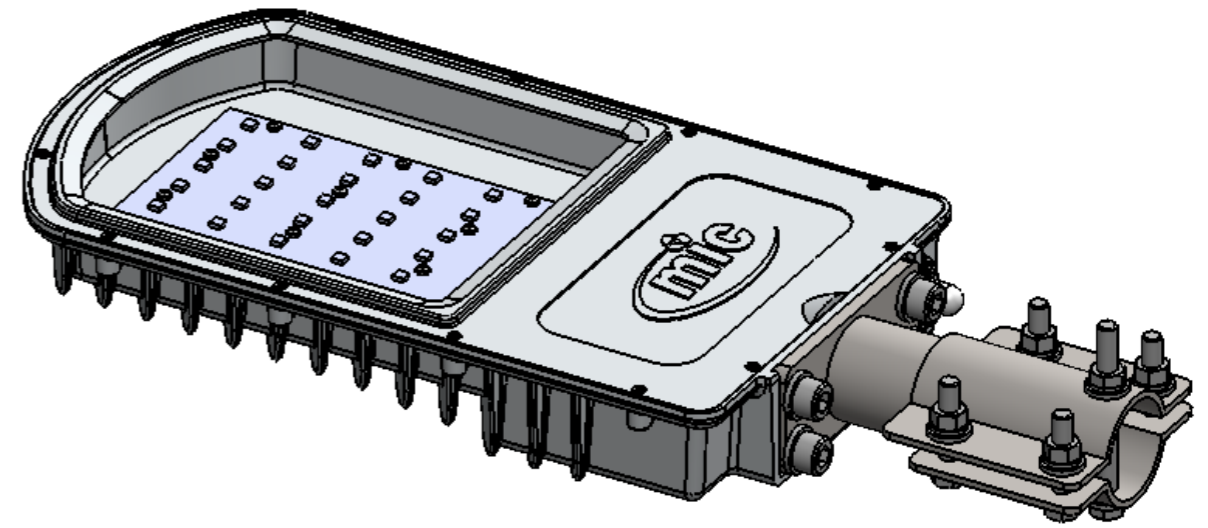
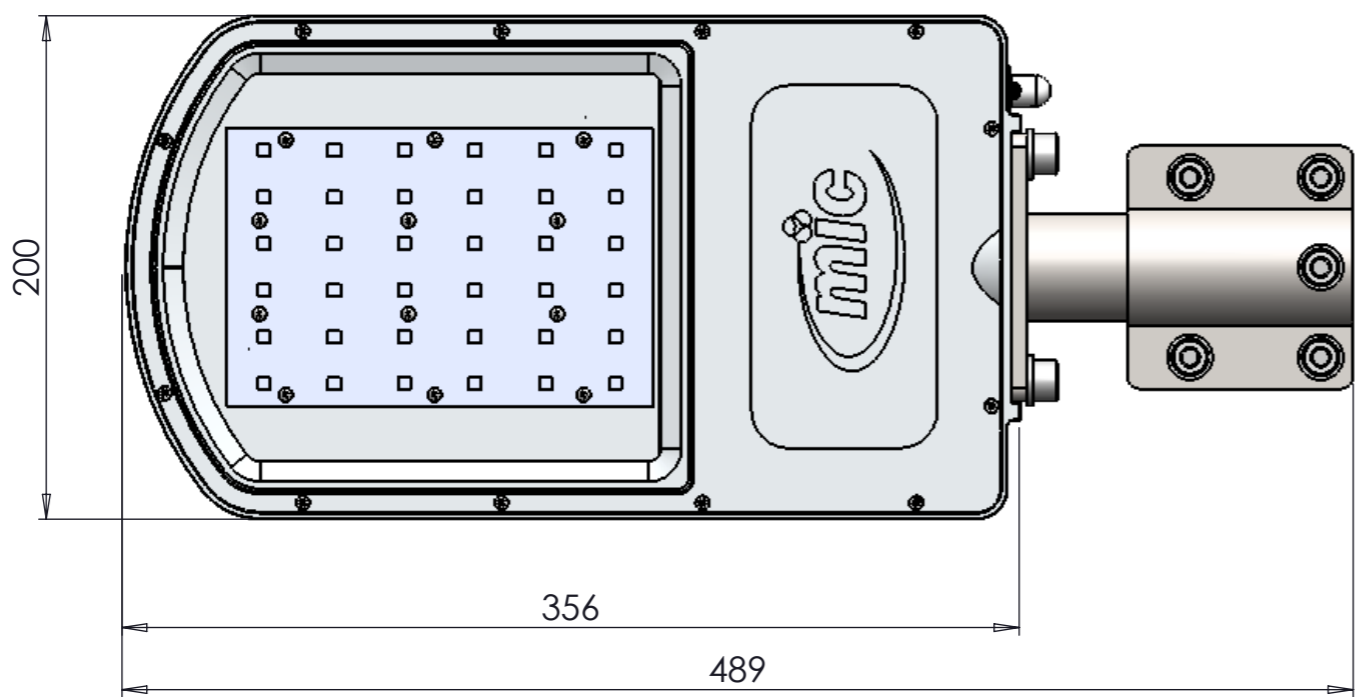
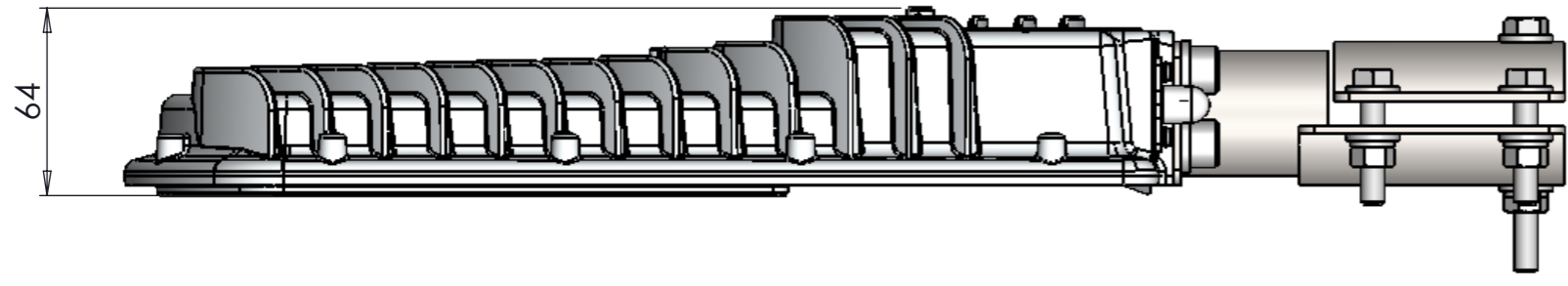


THIS DOCUMENT IS THE PROPERTY OF M/MIC ELECTRONICS LIMITED
DO NOT COPY, CIRCULATE OR DISCLOSE WITHOUT WRITTEN PERMISSION OF THE PROPRIETORS.



| CH.NO. | ZONE | DESCRIPTION | DATE |
|--------|------|-------------|------|
| | | | |
| | | | |
| | | | |
| | | | |
| | | | |
| | | | |
| | | | |
| | | | |

| | | |
|--|--|----------------|
| MATL. ALUMINIUM | NAME | DATE |
| FINISH POWDER COATING WITH MATT FINISH | DESIGN. | |
|  MIC Electronics Limited Hyderabad | DRAWN | |
| | CHKD. | |
| | APPD. | |
| | DRG. NO. ***** | |
| SCALE N T S | TITLE | SHEET 1 OF 1 |
| | 36W LED STREET LIGHT WITHOUT LENS | REVISION NO. 0 |
| | | FILE REF. |