

Alpha™ - LED Street Light Anchor Light 36W

With a superior efficacy of greater than 95lm/Watt, 36W LED Street Light from MIC is a direct replacement for 70W HPSV/ 2x 40W FTL/ 80W CFL/ 4x24W T5 results in savings of more than 65% to municipalities and commercial establishments.

■ Product advantages

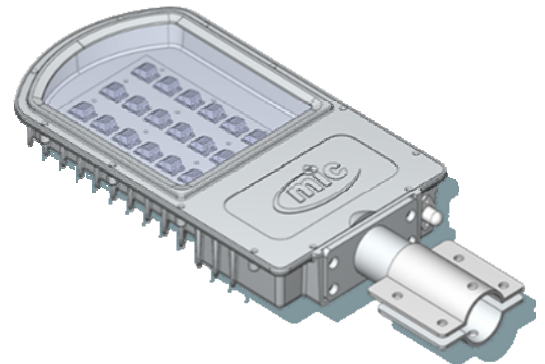
- 95 lm/W system efficacy
- Highly efficient electrical system
- IP 65/66 (Dust proof and water proof)
- Low Power Consumption (upto 50% less than conventional lights)
- Higher light output even at low temp.
- Available in Type II or Type III lens

■ Features

	Alpha-36
Equivalent to	70W HPSV/ 2x 40W FTL/ 80W CFL/ 4x24W T5
Operating Voltage (V)	90-300V
Rated Voltage (V)	220-240V
Rated Wattage (W)	36
Frequency (Hz)	50/60Hz
Input Current (mA max.)	330
Power Factor	≥0.95
THD	<10%
Surge Protection	20kV/10kA
Luminous Flux (lm)	3620
Colour Rendering Index (Ra)	>70
Color Temperature (K)	5700
Lamp Efficacy (lm / W)	98
Rated Lamp Lifetime (h)	50 000
Lumen maintenance factor	L70
Starting time	<0.5s
Dimming	Optional
Operating temperature	0 ~ 50°C

■ Mechanical

Housing/Casing	Pressure Die cast aluminium with Toughened glass and aluminium cover
IP Rating	IP 65
Dimensions (mm)	488 x 200 x 64
Net Weight (g)	3.5 Kg
Storage Temperature	-10 ~ 60°C
Humidity	10 ~ 95% RH

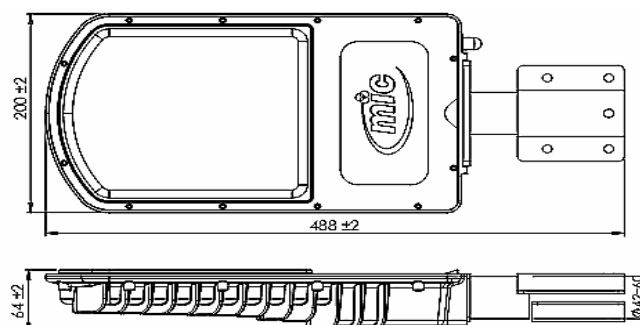


■ Installation

Mounting arm dia	<50mm ID
Mounting height	6 to 8m

■ Packaging details

Gross weight (kg) 4.0	1pc 550 x 300 x 100 mm
-----------------------	------------------------



*Due to continuous improvements, technical specifications are subject to change without prior notice.